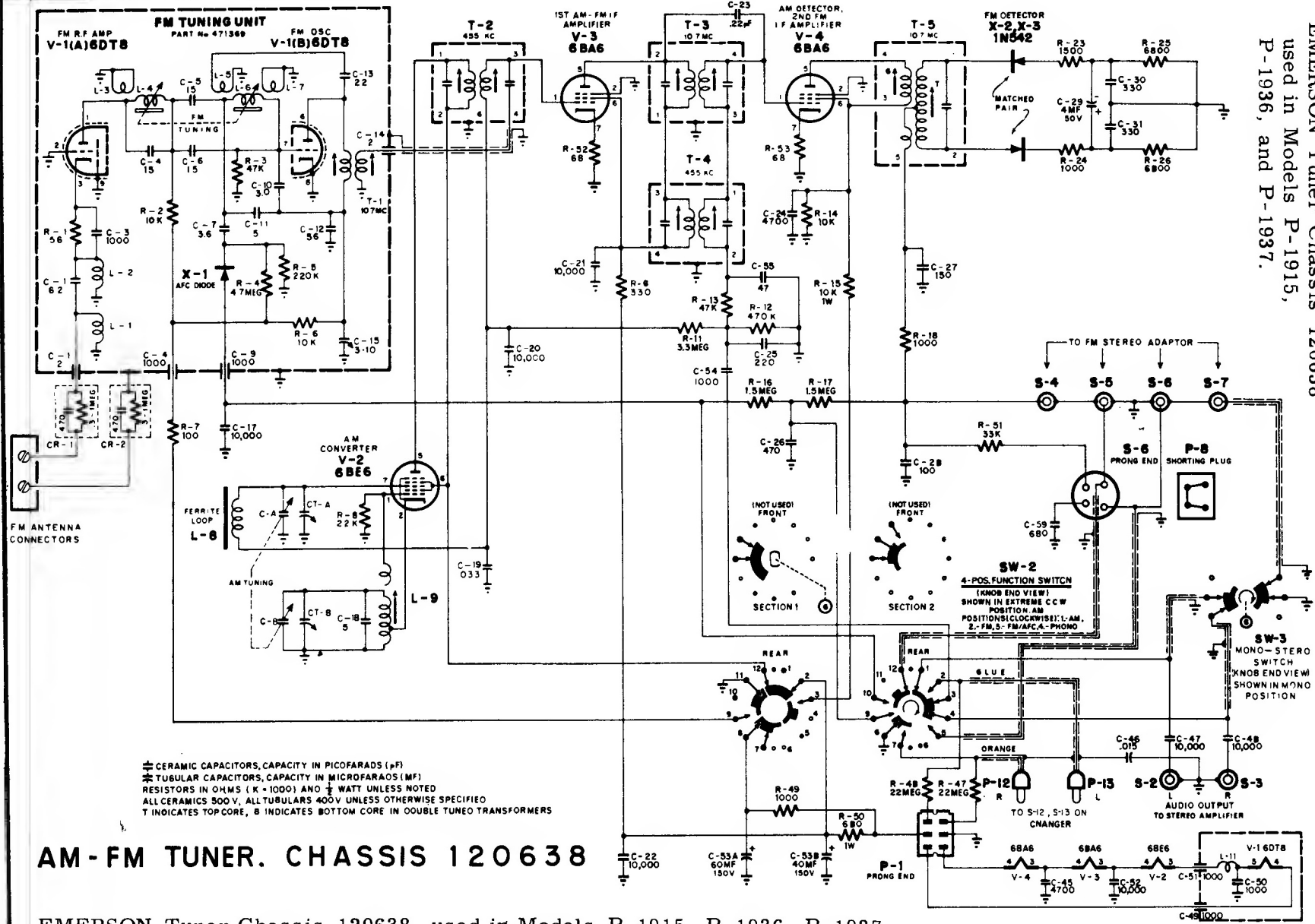
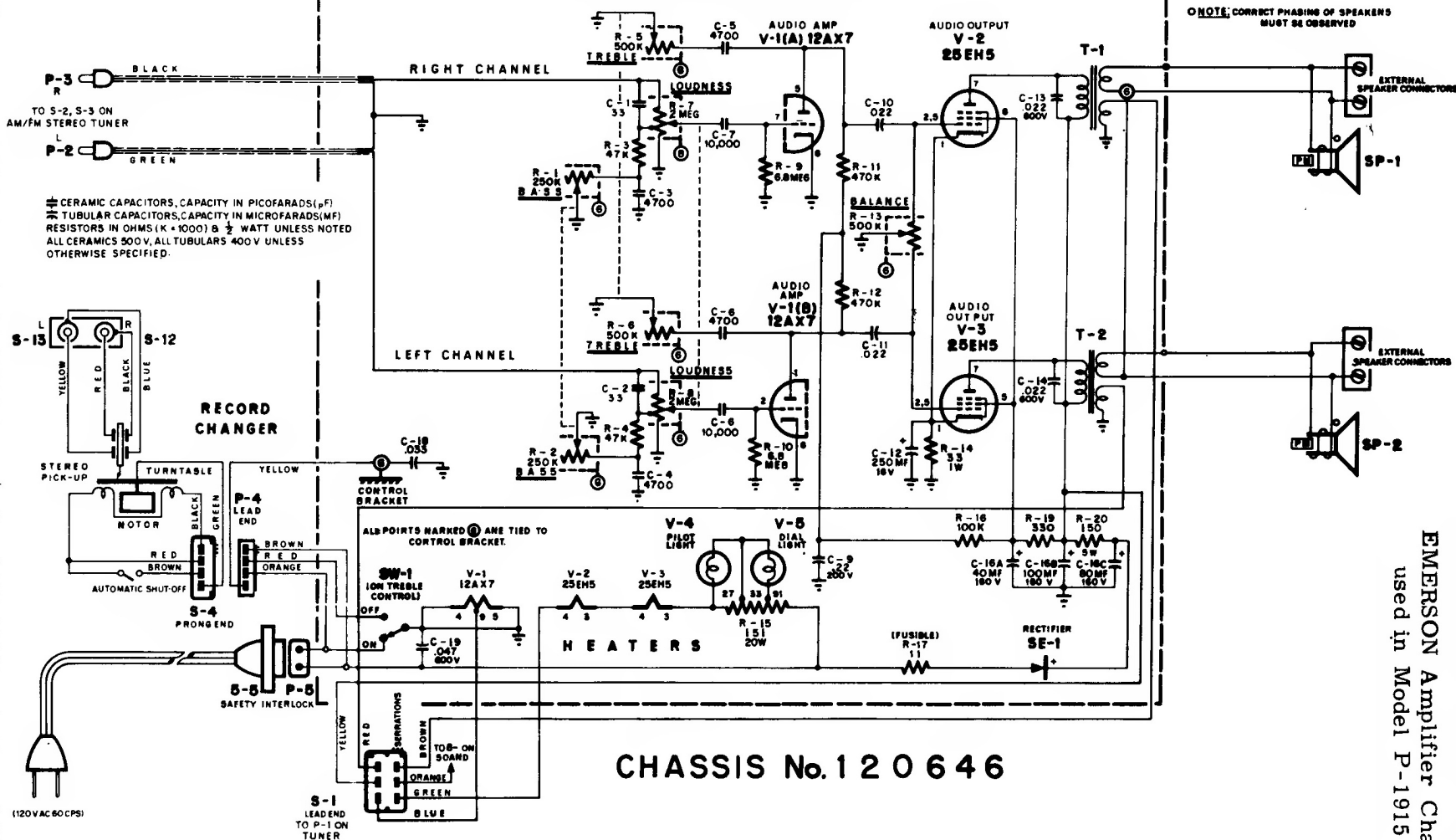


EMERSON Tuner Chassis 120638
 used in Models P-1915,
 P-1936, and P-1937.



EMERSON Tuner Chassis 120638, used in Models P-1915, P-1936, P-1937

MONAURAL AND STEREO AMPLIFIER BOARD



Emerson Model P-1915 is a combination FM-AM radio and stereophonic phonograph equipped with a four-speed automatic intermix record changer, complete with an automatic 45 RPM spindle adaptor. Two chassis are utilized; one for audio amplification and the other for reception of both AM and FM programs transmitted in the standard broadcast bands. Model P-1915 incorporates the Emerson "Power-Monitor" feature which, if desired, may be set to turn off both the stereo amplifier and the record changer after the last record has been played, thereby turning the unit completely off.